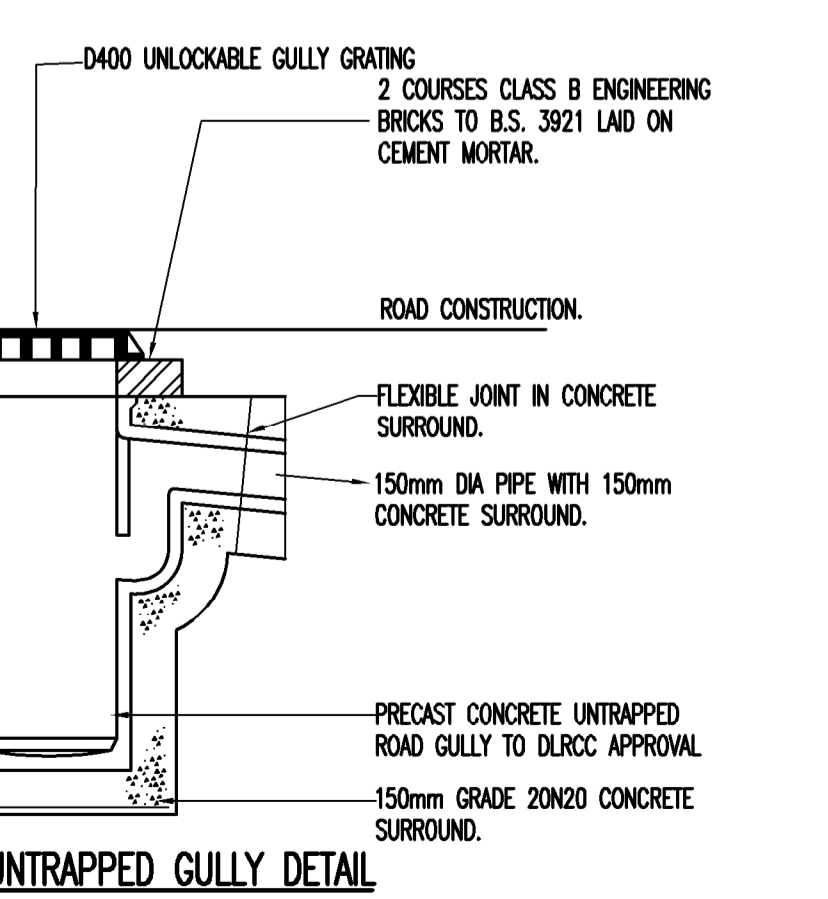
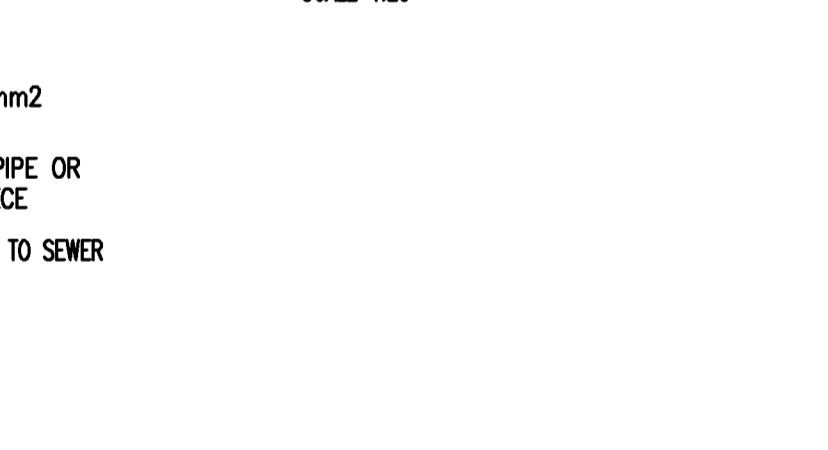
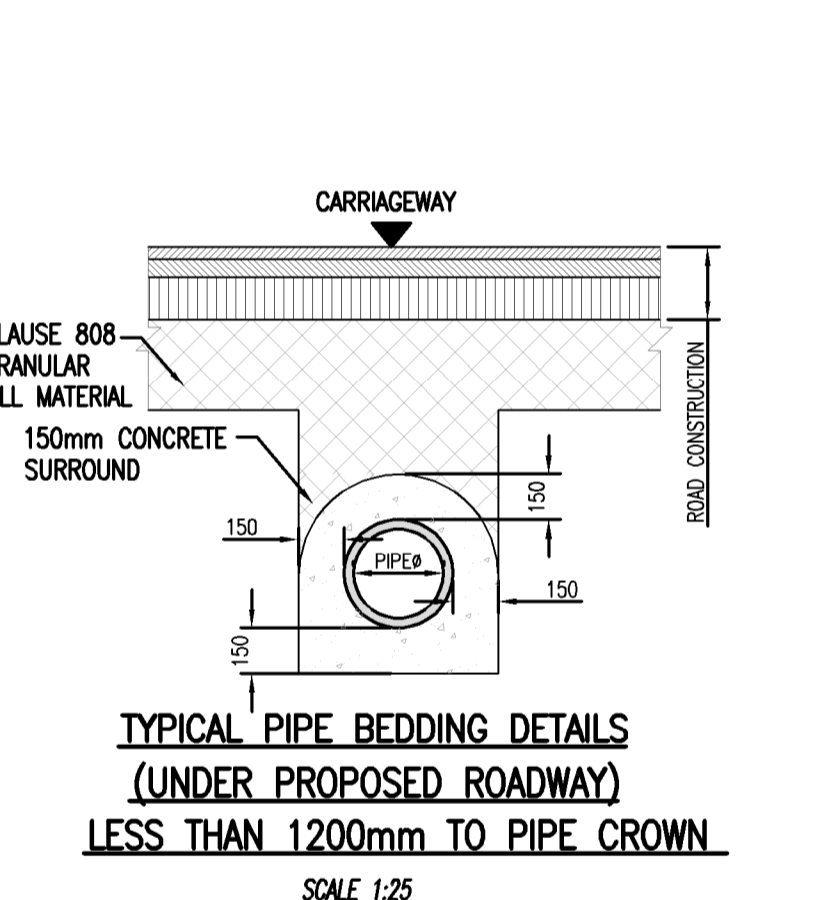
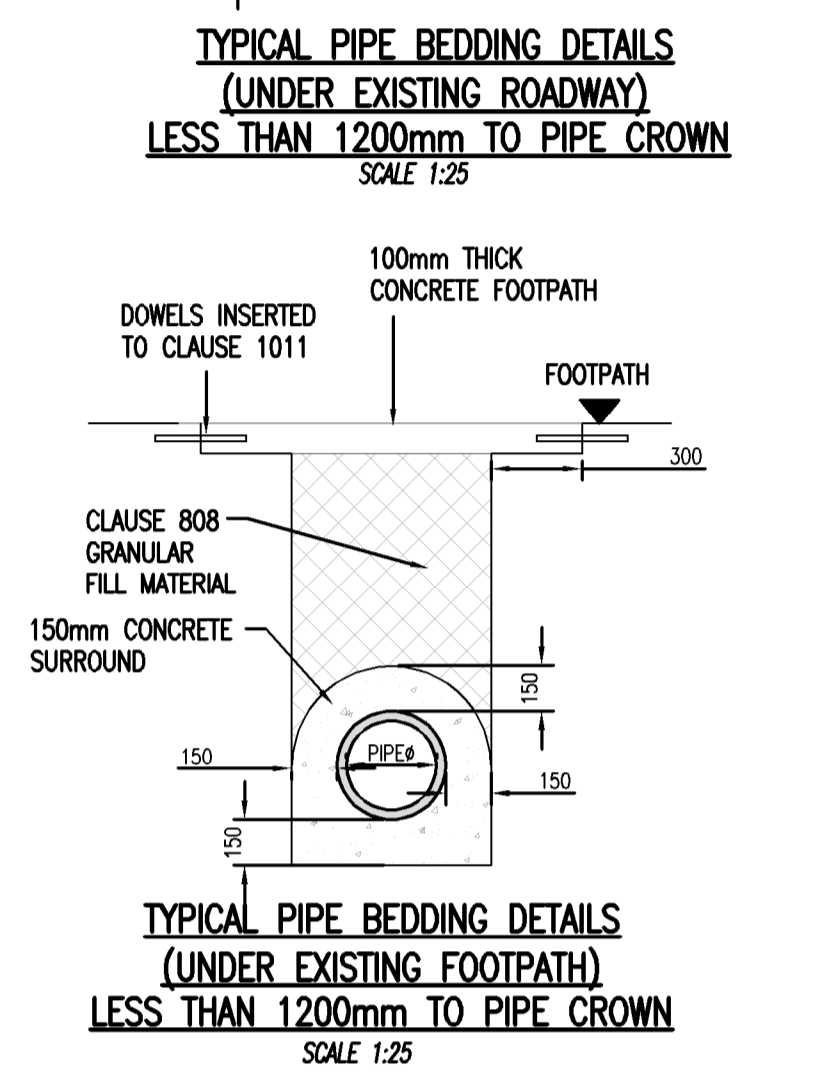
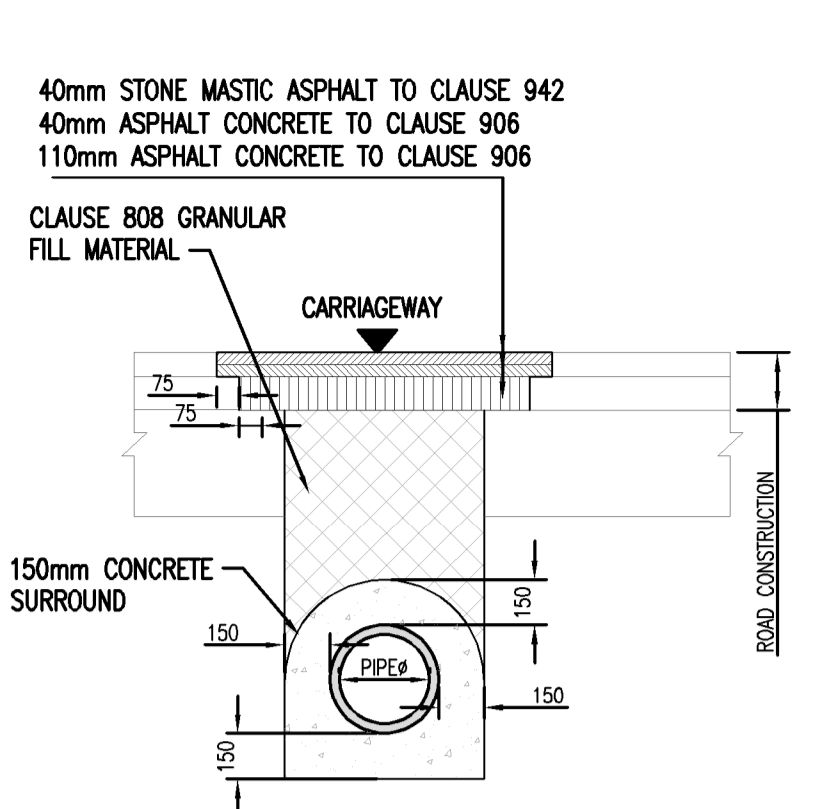


PIPE DIAMETER	ROCKER PIPE LENGTH
150 - 450	0.5 - 0.75
451 - 750	0.75 - 1.0
750 >	SEE GUIDANCE

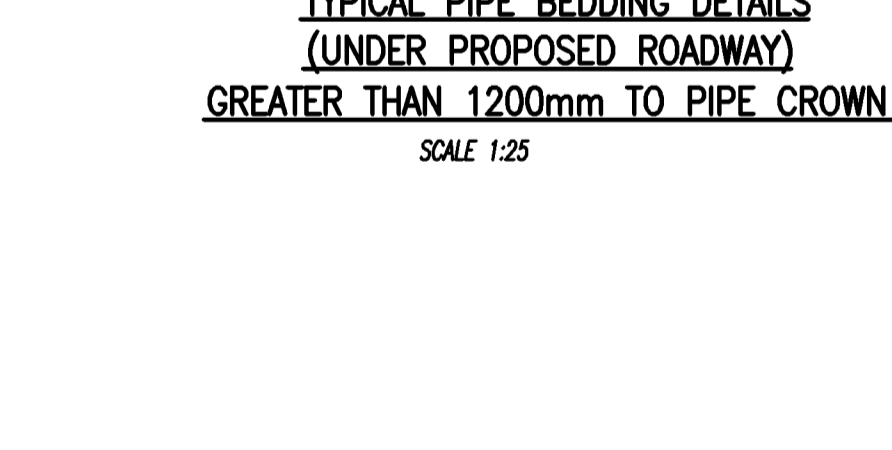
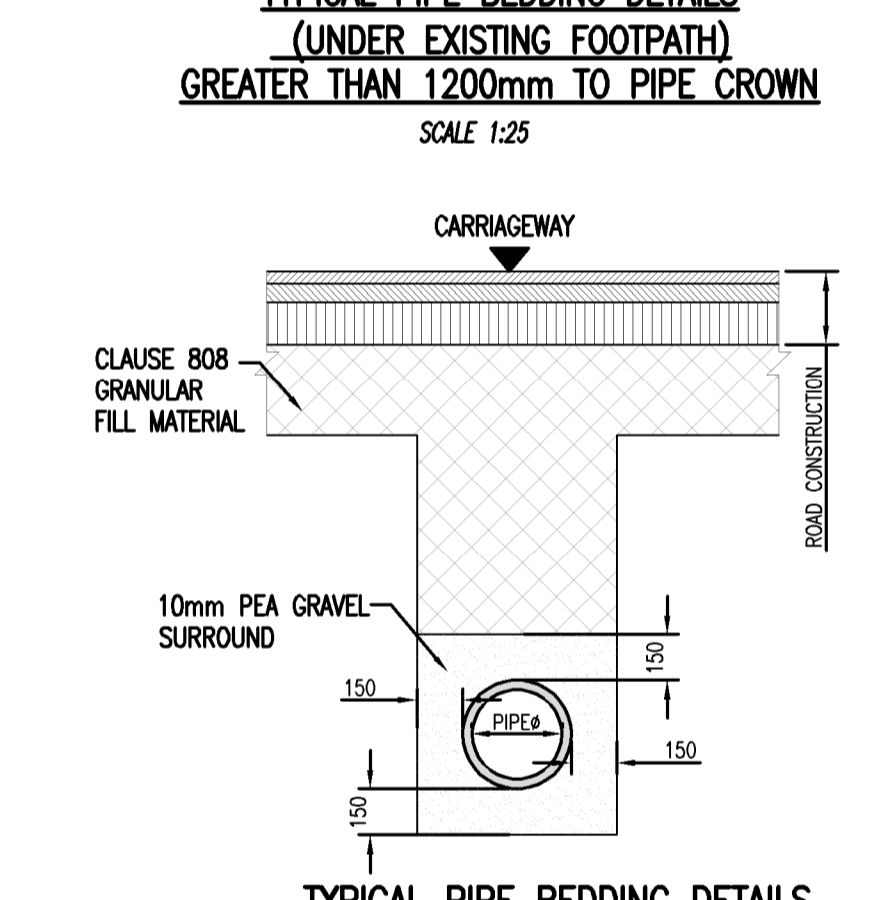
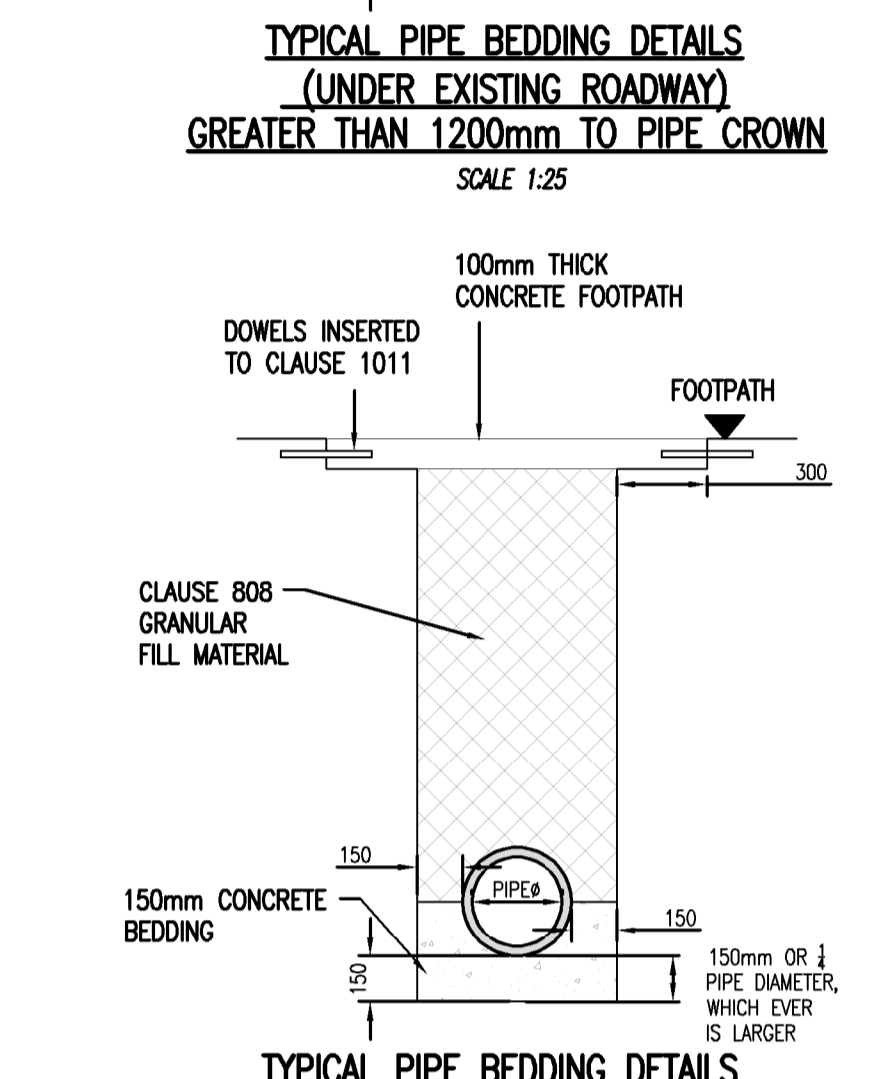
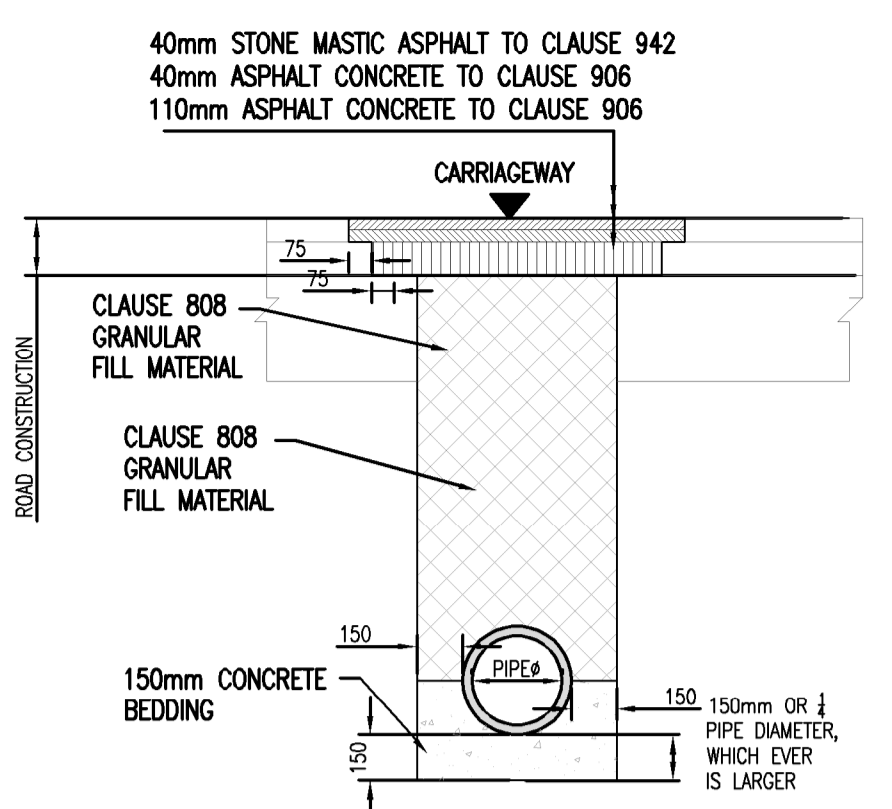
DIAMETER OF LARGEST PIPE IN MANHOLE	PRECAST CONCRETE RING SIZE
LESS THAN 375mm	1200mm DIA
375mm TO 450mm	1350mm DIA
450mm TO 700mm	1500mm DIA
750mm TO 900mm	1800mm DIA
950mm TO 1200mm	2100mm DIA
1250mm AND ABOVE	2400mm DIA

NORMAL INTERNAL DIAMETER	MINIMUM TRENCH WIDTH mm	MAXIMUM TRENCH WIDTH mm
100	450	650
150	500	700
225	600	800
300	700	900
375	950	1150
450	1050	1250
525	1150	1350
600	1250	1450
675	1350	1550
750	1400	1600
825	1500	1700
900	1950	2150
1050	2100	2300
1200	2300	2500
ABOVE 1200	PIPE DIAMETER PLUS 800mm	OUTSIDE DIAMETER PLUS 1000mm

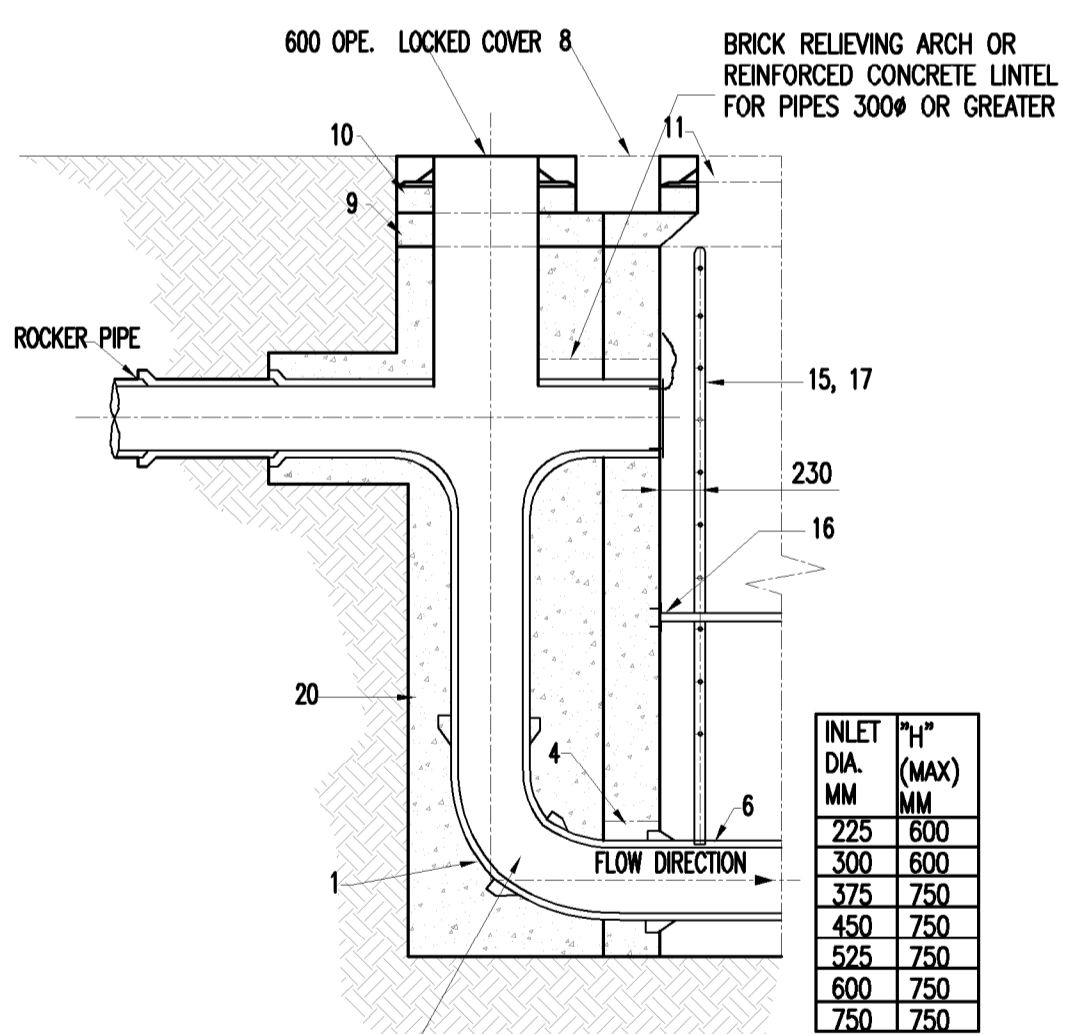
MAXIMUM AND MINIMUM TRENCH WIDTHS



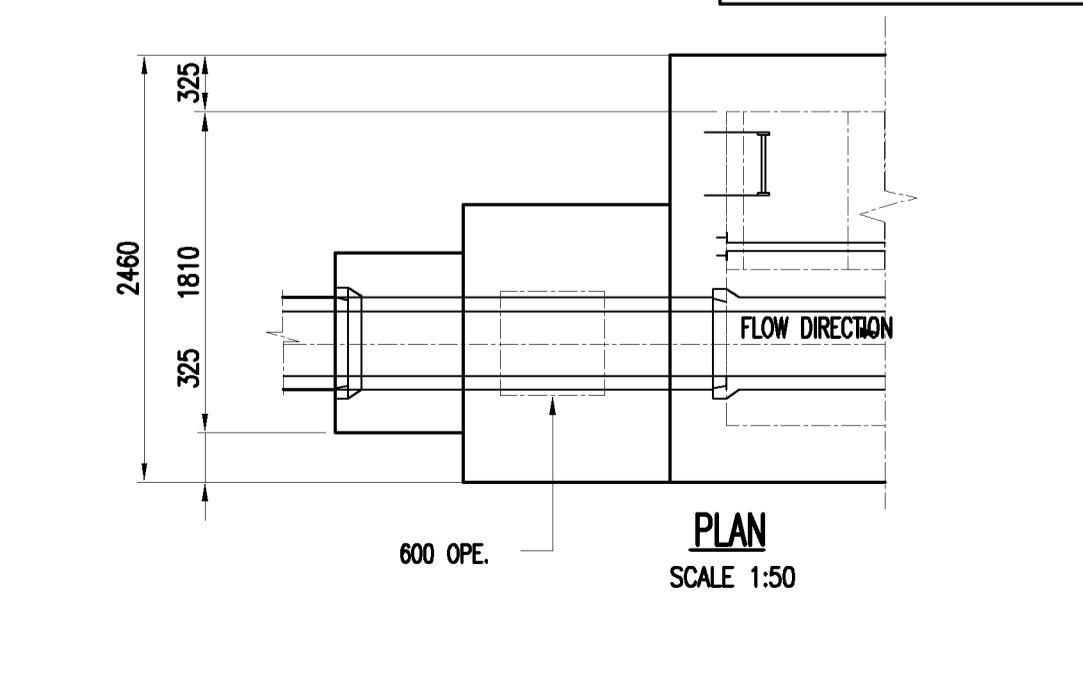
RECTANGULAR UNTRAPPED GULLY DETAIL



- BACKDROP MANHOLE DRAWING NOTES:**
- 225MM THICK C1.20/20MM MASS CONCRETE FOUNDATIONS
 - PREFORMED HALF CIRCLE CHANNEL PIPES. THE PIPELINE MAY, WHERE PRACTICABLE, BE LAID THROUGH THE MANHOLE AND THE CROWN CUT OUT TO HALF DIAMETER, PROVIDED FLEXIBLE JOINTS ARE SITUATED ON EACH SIDE NO FURTHER THAN 600MM FROM THE INNER FACE OF MANHOLE WALL.
 - MANHOLE CONSTRUCTION:
 - FOR SURFACE WATER MANHOLES HIGH-DENSITY BLOCKS TO C1.10 OF IS.20 PART 1:1987 OR C1.30/20MM INSITU CONCRETE
 - BLOCK WORK SHALL BE BEDDED AND JOINTED USING MORTAR TO IS.406. BEDS AND VERTICAL JOINTS SHALL BE COMPLETELY FILLED WITH MORTAR AS THE BLOCKS ARE LAID.
 - JOINTS SHALL BE FLUSH POINTED AS THE WORK PROCEEDS.
 - ALL FOUL MANHOLES MUST BE FACED IN SOLID ENGINEERING BRICK (MIN CLASS A OR B), OR INSITU CONCRETE FOR 1 METER ABOVE BENCHING LEVEL.
 - BRICK TO BE BONDED TO BLOCK WORK USING ENGLISH GARDEN WALL BOND.
 - RELIEVING ARCH FORMED BY 215X103X65 SOLID ENGINEERING BRICK CLASS A OR B AS PER DRAWING. RELIEVING ARCHES USED IN BRICK OR BLOCK WORK MANHOLES EXTEND OVER FULL THICKNESS OF WALL. A DOUBLE ARCH IS TO BE FORMED FOR PIPE DIAMETERS GREATER THAN 600MM.
 - BENCHING AND PIPE CHANNEL PIPE SURROUND - C1.20/20 CONCRETE.
 - BENCHING FINISHED IN 2:1 SAND CEMENT MORTAR WITH A SMOOTH TROWEL FINISH, AT 1 IN 30 SLOPE TOWARDS CHANNEL.
 - STANDARD RUNGS AT 300C/C VERTICALLY AND GALVANISED TO THE LATEST VERSION OF B.S. 729 OR EQUIVALENT. NOTE STEPS IRONS ARE NOT ACCEPTABLE.
 - 600MM SQUARE OPEN IN ROOF SLAB.
 - PRECAST R.C ROOF SLAB SHALL BE 200MM THICK IN CLASS 30N/20MM, WITH 40MM COVER TO STEEL.
 - 1 TO 2 COURSES OF SOLID ENGINEERING BRICKS C1.8 TO I.S.91:1983 SET IN 1:3(CEMENT AND MORTAR)
 - CLASS D400 OR E600 MANHOLE COVER AND FRAME TO IS/EN 124. 150MM DEEP FRAME FOR ROADS AND 100MM DEEP FOR FOOTPATHS AND GREEN AREAS. NON-ROCK DESIGN, CLOSED KEYWAYS, MANUFACTURED FROM SPHERICAL GRAPHITE CAST IRON(DUCTILE CAST IRON). 600 X 600(600 DIA) CLEAR OPENING, COVER AND FRAME COATED IN BITUMEN OR OTHER APPROVED MATERIAL, COVER TO HAVE A MINIMUM MASS OF 140KG/M², FRAME BEARING AREA SHALL BE 80,000MM² MIN, FRAMES SHALL BE DESIGNED TO PREVENT COVERS FALLING INTO MANHOLE. FRAMES SHALL BE BEDDED ON APPROVED MORTAR TO MANUFACTURERS INSTRUCTIONS.
 - SHORT LENGTH PIPE AND PIPE JOINT EXTERNAL TO MANHOLE SHALL NOT EXCEED 600MM FROM THE INNER FACE OF MANHOLE WALL.
 - TOE HOLES OF 230MM MINIMUM DEPTH AND GALVANISED STEEL SAFETY RAILINGS TO BE PROVIDED IN BENCHING OF SEWERS GREATER THAN 525MM DIAMETER AND DEPTH TO INVERT >3M FOR ACCESS TO INVERT.
 - A SAFETY CHAIN IS TO BE PROVIDED ON PIPES THAT EXCEED 450MM IN DIAMETER. MILD SAFETY CHAIN SHALL BE 10MM NOMINAL SIZE GRADE M(H) NON-CALIBRATED CHAIN, TYPE 1, COMPLYING WITH B.S.4942 PART 2 OR EQUIVALENT.

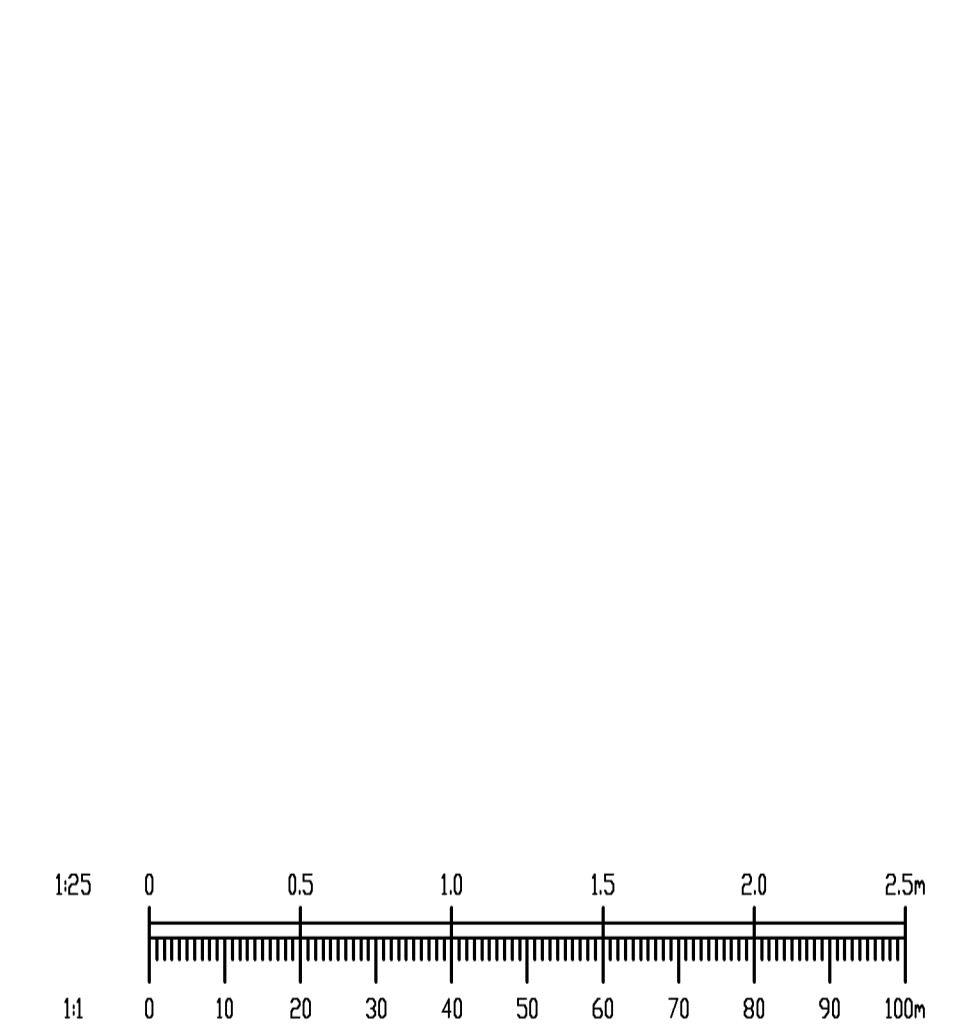


- 2NO. 45° BENDS FOR PIPES UP TO 375MM# 1 NO. 90° BEND FOR PIPES 450MM# OR GREATER
- TYPICAL BACKDROP DETAIL** SCALE 1:50
- BACKDROP MANHOLE DETAILS FOR PIPE DIA'S. 225, 300, 375, 450, 525, 600, 750MM DROP > 750MM.



- NOTES:**
- DO NOT SCALE. USE FIGURED DIMENSIONS ONLY.
 - THIS DRAWING IS TO BE READ IN CONJUNCTION WITH ALL OTHER RELEVANT ARCHITECTURAL AND ENGINEERING DRAWINGS.
 - TYPE A GRANULAR FILL SHALL CONSIST OF WASHED PEA GRAVEL. ALL MATERIAL SHALL PASS A 19mm B.S. SIEVE TEST AND SHALL BE RETAINED BY A 4.75mm B.S. SIEVE TEST.
 - SELECTED FILL SHALL BE FREE FROM STONES GREATER THAN 25mm IN SIZE, BUILDERS RUBBLE, VEGETABLE MATTER AND LUMPS OF CLAY GREATER THAN 75mm IN SIZE AND SHALL BE COMPACTED IN 150mm LAYERS.
 - IN OPEN SPACES BACKFILL SHALL CONSIST OF SUITABLE SELECTED EXCAVATED MATERIAL. UNDER PAVED AREAS BACKFILL SHALL CONSIST OF SUITABLE APPROVED GRANULAR FILL. GENERAL BACKFILL SHALL BE COMPACTED IN LAYERS NOT EXCEEDING 300mm THICK.
 - CONCRETE BED AND SURROUND SHALL BE USED ON ALL PIPES WHERE COVER TO THE SOFFIT OF THE PIPE IS LESS THAN 1.2m IN ROADS, FOOTPATHS AND GRASS MARGINS AND 0.9m IN OPEN SPACES AND FIELDS.
 - ALL CONCRETE FOR PIPE BEDDING, HAUNCHING AND SURROUNDS SHALL BE GRADE 20/20.
 - ALL MANHOLES SHALL BE WATERTIGHT TO THE SATISFACTION OF THE ENGINEER.
 - FORMWORK TO REINFORCED CONCRETE AND MASS CONCRETE SHALL COMPLY WITH CLASS 2, SECTION 6.2.7, B.S.8110 PART 1 : 1997.
 - FINISH TO THE TOP OF SLABS SHALL COMPLY WITH TYPE A, SECTION 6.2.7 B.S.8110 : PART 1:1997.
 - PLAN DIMENSIONS OF MANHOLES ARE BASED ON BLOCK WORK HAVING A CO-ORDINATING SIZE OF 450 X 225 X 100.
 - MANHOLES ARE DESIGNED TO B.S.8005 AND WALL THICKNESS TO L.S.325 BLOCK WORK DESIGN CODE TAKING GRANULAR FILL PRESSURE AND H.B SURCHARGE.
 - RE-INFORCEMENT TO SLABS TO ENGINEERS DETAILS.
 - FOR MANHOLES >3M DEPTH TO INVERT USE 30N/20MM INSITU CONCRETE. RE-INFORCING MESH REF. A393 @ 6.16KG/M TO BE FIXED AT MID POINT OR WALL. ADDITIONAL RE-INFORCEMENT TO BE SUPPLIED OVER PIPE CROWN.
 - FOR PRE-CAST MANHOLES, CHAMBER WALLS AND COVER SLAB TO BE CONSTRUCTED TO IS EN 1917 AND IS 420 2004.
 - MANHOLE OPENINGS TO BE SITUATED FURTHEST FROM NEAREST CARRIAGEWAY. MANHOLE STEPS/ACCESS TO BE POSITIONED TO ALLOW VIEWING OF ONCOMING TRAFFIC.
 - FOR BEDDING AND SEALING OF CHAMBER RINGS, THE TOP RING(TO PRE-CAST COVER SLAB) AND BOTTOM RING TO BE BEDDED WITH CEMENT MORTAR. FOR INTERMEDIATE RINGS, JOINTS TO BE SEALED WITH APPROVED PRE-FORMED JOINTING STRIP.
 - PRE-CAST MANHOLES TO BE SURROUNDED WITH A MINIMUM OF 150MM THICK GRADE C20/40 CONCRETE.
- GENERAL NOTES :**
- ALL BRICK TO BE SOLID ENGINEERING BRICK CLASS A OR B
 - FOR PIPE DIAMETER >750MM USE MANHOLE WITH INTERNAL DIAMETER SIZE =PIPE SIZE + 1 METER + 300MM.
 - DISTANCE FROM THE TOP RING OF THE LADDER TO GROUND LEVEL MUST BE A MAXIMUM OF 500MM.
- NOTES :**
- MANHOLE DETAILS FOR PIPE DIA'S. 150, 225, 300, 375, 450, 525, 600, 750 DROP < 750MM
 - WHEN THE DROP 'h' IS GREATER THAN THE MAX VALUE SHOWN USE BACKDROP MANHOLE.

- NOTES:**
- DO NOT SCALE. USE FIGURED DIMENSIONS ONLY.
 - THIS DRAWING IS TO BE READ IN CONJUNCTION WITH ALL OTHER RELEVANT ARCHITECTURAL AND ENGINEERING DRAWINGS.
 - TYPE A GRANULAR FILL SHALL CONSIST OF WASHED PEA GRAVEL. ALL MATERIAL SHALL PASS A 19mm B.S. SIEVE TEST AND SHALL BE RETAINED BY A 4.75mm B.S. SIEVE TEST.
 - SELECTED FILL SHALL BE FREE FROM STONES GREATER THAN 25mm IN SIZE, BUILDERS RUBBLE, VEGETABLE MATTER AND LUMPS OF CLAY GREATER THAN 75mm IN SIZE AND SHALL BE COMPACTED IN 150mm LAYERS.
 - IN OPEN SPACES BACKFILL SHALL CONSIST OF SUITABLE SELECTED EXCAVATED MATERIAL. UNDER PAVED AREAS BACKFILL SHALL CONSIST OF SUITABLE APPROVED GRANULAR FILL. GENERAL BACKFILL SHALL BE COMPACTED IN LAYERS NOT EXCEEDING 300mm THICK.
 - CONCRETE BED AND SURROUND SHALL BE USED ON ALL PIPES WHERE COVER TO THE SOFFIT OF THE PIPE IS LESS THAN 1.2m IN ROADS, FOOTPATHS AND GRASS MARGINS AND 0.9m IN OPEN SPACES AND FIELDS.
 - ALL CONCRETE FOR PIPE BEDDING, HAUNCHING AND SURROUNDS SHALL BE GRADE 20/20.
 - ALL MANHOLES SHALL BE WATERTIGHT TO THE SATISFACTION OF THE ENGINEER.
 - FORMWORK TO REINFORCED CONCRETE AND MASS CONCRETE SHALL COMPLY WITH CLASS 2, SECTION 6.2.7, B.S.8110 PART 1 : 1997.
 - FINISH TO THE TOP OF SLABS SHALL COMPLY WITH TYPE A, SECTION 6.2.7 B.S.8110 : PART 1:1997.
 - PLAN DIMENSIONS OF MANHOLES ARE BASED ON BLOCK WORK HAVING A CO-ORDINATING SIZE OF 450 X 225 X 100.
 - MANHOLES ARE DESIGNED TO B.S.8005 AND WALL THICKNESS TO L.S.325 BLOCK WORK DESIGN CODE TAKING GRANULAR FILL PRESSURE AND H.B SURCHARGE.
 - RE-INFORCEMENT TO SLABS TO ENGINEERS DETAILS.
 - FOR MANHOLES >3M DEPTH TO INVERT USE 30N/20MM INSITU CONCRETE. RE-INFORCING MESH REF. A393 @ 6.16KG/M TO BE FIXED AT MID POINT OR WALL. ADDITIONAL RE-INFORCEMENT TO BE SUPPLIED OVER PIPE CROWN.
 - FOR PRE-CAST MANHOLES, CHAMBER WALLS AND COVER SLAB TO BE CONSTRUCTED TO IS EN 1917 AND IS 420 2004.
 - MANHOLE OPENINGS TO BE SITUATED FURTHEST FROM NEAREST CARRIAGEWAY. MANHOLE STEPS/ACCESS TO BE POSITIONED TO ALLOW VIEWING OF ONCOMING TRAFFIC.
 - FOR BEDDING AND SEALING OF CHAMBER RINGS, THE TOP RING(TO PRE-CAST COVER SLAB) AND BOTTOM RING TO BE BEDDED WITH CEMENT MORTAR. FOR INTERMEDIATE RINGS, JOINTS TO BE SEALED WITH APPROVED PRE-FORMED JOINTING STRIP.
 - PRE-CAST MANHOLES TO BE SURROUNDED WITH A MINIMUM OF 150MM THICK GRADE C20/40 CONCRETE.
- GENERAL NOTES :**
- ALL BRICK TO BE SOLID ENGINEERING BRICK CLASS A OR B
 - FOR PIPE DIAMETER >750MM USE MANHOLE WITH INTERNAL DIAMETER SIZE =PIPE SIZE + 1 METER + 300MM.
 - DISTANCE FROM THE TOP RING OF THE LADDER TO GROUND LEVEL MUST BE A MAXIMUM OF 500MM.
- NOTES :**
- MANHOLE DETAILS FOR PIPE DIA'S. 150, 225, 300, 375, 450, 525, 600, 750 DROP < 750MM
 - WHEN THE DROP 'h' IS GREATER THAN THE MAX VALUE SHOWN USE BACKDROP MANHOLE.



STATUS FOR PLANNING NOT FOR CONSTRUCTION

Waterman Moylan Engineering Consultants

BLOCK 8, EASTPOINT BUSINESS PARK, ALFIE BYRNE ROAD, DUBLIN D03 H3F4
Tel: (01) 664 8900 Fax: (01) 661 3618
Email: info@waterman-moylan.ie www.waterman-moylan.ie

CLIENT: CASTLETHORN CONSTRUCTION UC & CASTLETHORN DEVELOPMENTS KELLYSTOWN UC

ARCHITECT: O'MAHONY PIKE

PROJECT: KELLYSTOWN PHASE 1

TITLE: PUBLIC SURFACE WATER DRAINAGE CONSTRUCTION DETAILS

DRAWN	DESIGNED	APPROVED	DATE
PJD	MD	MD	FEB 2020

SCALE	JOB NO	DRG. NO.	REVISION
1:25 @ A1	15-038	P125	A